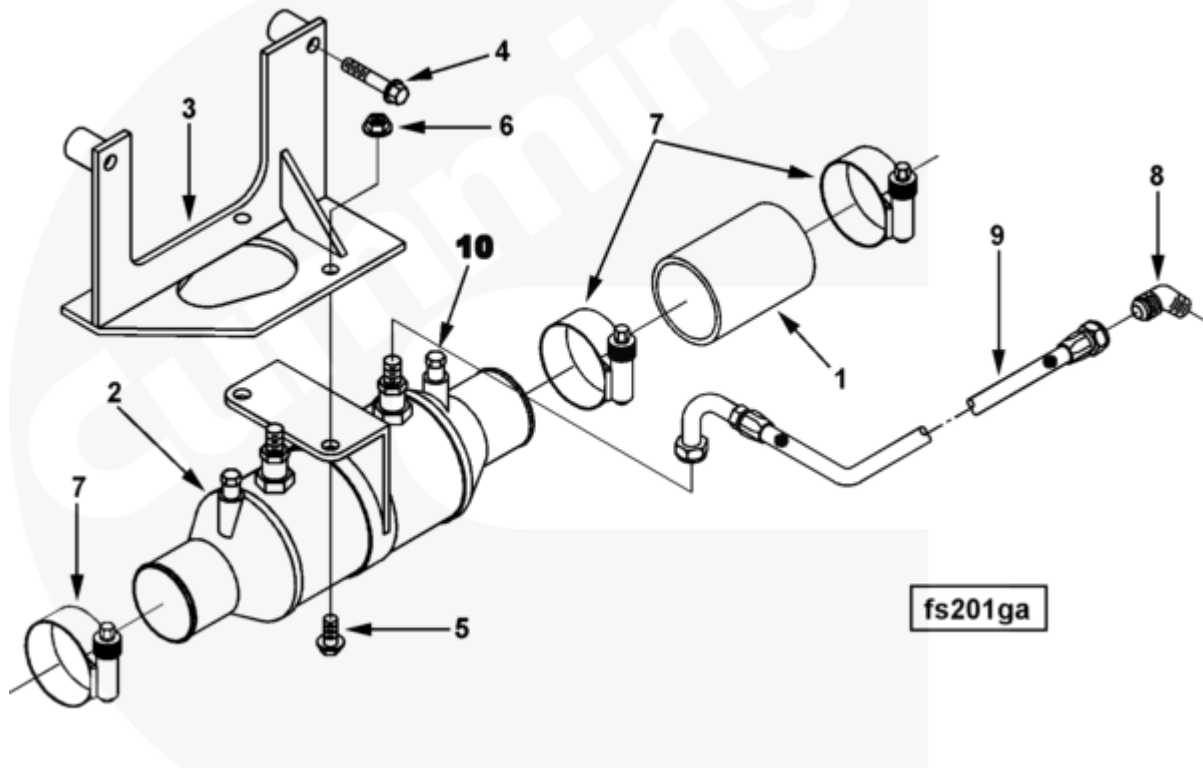




Parts Catalog - Option Detail

Electronic Parts Catalog - Option Detail				
Option	Group	Graphic	Film Card	Date
FS2023-03	06.08	fs201ga	II	18-JUL-00
Engines	ISM CM570, ISM CM570/870, ISM CM875, ISM CM876, ISM CM876 E, ISM11 CM876 M103, ISM11 CM876 SN, M11 CELECT, M11 CELECT PLUS, M11 MECHANICAL, QSM11 CM570, QSM11 CM876			

©Cummins Inc



[SMALL](#) | [MEDIUM](#) | [LARGE](#)

Cart	Ref No	Part Number	Part Description	Required	Remarks
View My Cart					
		FS2023-03	Fuel Cooler		
					Fuel Cooler
					Max Water Flow Rate: 378.541
					lpm (100 gpm)
					Fuel Inlet Temperature:
					76.667 C (170 f)

					Fuel Outlet Max Temperature:
					40 C (104 f)
					Seawater Cooler on Return
					Side of Fuel System
					Fuel Pump Type: CELECT
					Drain Position Vert from C/L:
					-153.3mm(-6.04")
					Drain Position from RFOB:
					389.9mm(15.35")
					Drain Position Engine C/L:
					227.8mm (8.97")
<input type="checkbox"/>	1	67369	Plain Hose	1	
<input type="checkbox"/>	2	3349370	Fuel Cooler	1	
<input type="checkbox"/>	3	3349638	Fuel Plumbing Bracket	1	
<input type="checkbox"/>	4	3900634	Hexagon Flange Head Cap Screw	2	M10 X 1.50 X 50.
<input type="checkbox"/>	5	3902460	Hexagon Flange Head Cap Screw	2	M10 X 1.50 X 25.
<input type="checkbox"/>	6	3902662	Hexagon Flange Nut	2	M10 x 1.50
<input type="checkbox"/>	7	3918521	Hose Clamp	4	59 - 83mm
<input type="checkbox"/>	8	3005845	Male Adapter Elbow	1	
<input type="checkbox"/>	9	3349128	Flexible Hose	1	
<input type="checkbox"/>	10	3957921	Zinc Electrode Plug	1	